

CD4001BM/CD4001BC Quad 2-Input NOR Buffered B Series Gate

CD4011BM/CD4011BC Quad 2-Input NAND Buffered B Series Gate

General Description

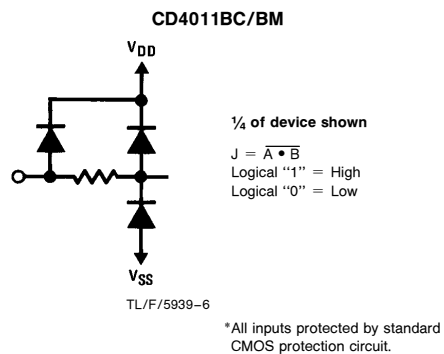
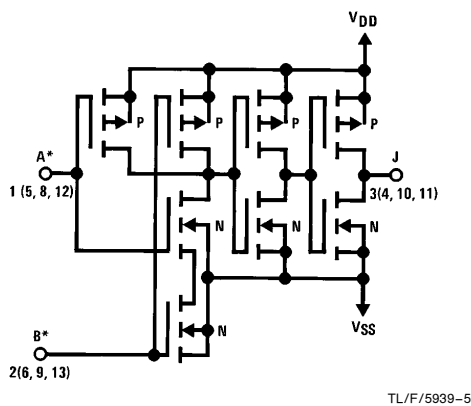
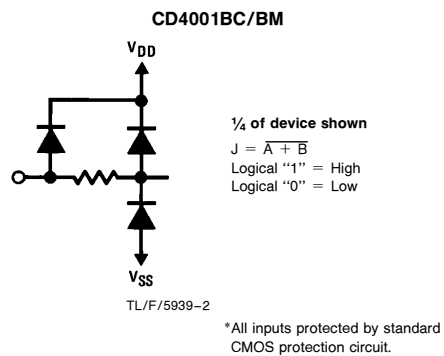
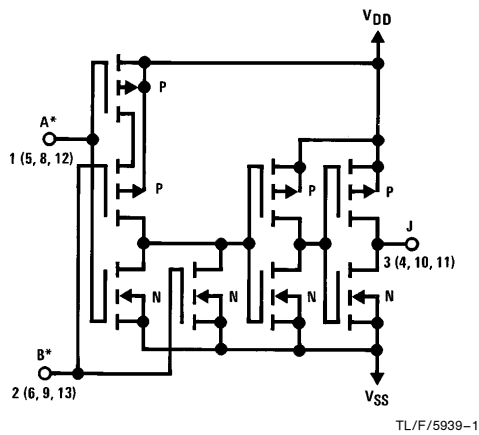
These quad gates are monolithic complementary MOS (CMOS) integrated circuits constructed with N- and P-channel enhancement mode transistors. They have equal source and sink current capabilities and conform to standard B series output drive. The devices also have buffered outputs which improve transfer characteristics by providing very high gain.

All inputs are protected against static discharge with diodes to V_{DD} and V_{SS} .

Features

- Low power TTL compatibility
 - 5V–10V–15V parametric ratings
 - Symmetrical output characteristics
 - Maximum input leakage 1 μ A at 15V over full temperature range
- Fan out of 2 driving 74L
or 1 driving 74LS

Schematic Diagrams



CD4001BM/CD4001BC Quad 2-Input NOR Buffered B Series Gate
CD4011BM/CD4011BC Quad 2-Input NAND Buffered B Series Gate

Absolute Maximum Ratings (Notes 1 and 2)

If Military/Aerospace specified devices are required, please contact the National Semiconductor Sales Office/Distributors for availability and specifications.

| | |
|-------------------------------|-------------------------------|
| Voltage at any Pin | -0.5V to $V_{DD} + 0.5V$ |
| Power Dissipation (P_D) | |
| Dual-In-Line | 700 mW |
| Small Outline | 500 mW |
| V_{DD} Range | -0.5 V_{DC} to +18 V_{DC} |
| Storage Temperature (T_S) | -65°C to +150°C |
| Lead Temperature (T_L) | |
| (Soldering, 10 seconds) | 260°C |

Operating Conditions

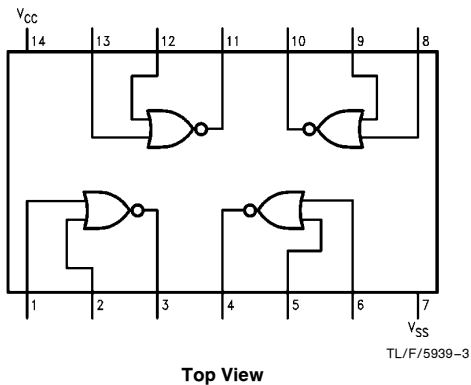
| | |
|------------------------------|---------------------------|
| Operating Range (V_{DD}) | 3 V_{DC} to 15 V_{DC} |
| Operating Temperature Range | |
| CD4001BM, CD4011BM | -55°C to +125°C |
| CD4001BC, CD4011BC | -40°C to +85°C |

DC Electrical Characteristics CD4001BM, CD4011BM (Note 2)

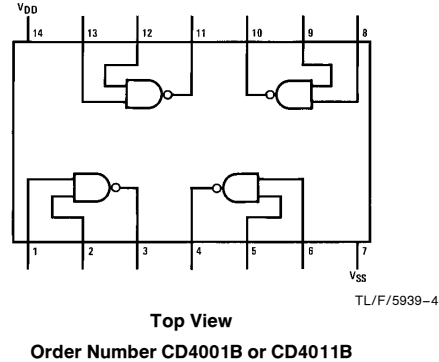
| Symbol | Parameter | Conditions | -55°C | | +25°C | | | +125°C | | Units |
|----------|------------------------------------|---|-------|-------|-------|------------|-------|--------|------|---------|
| | | | Min | Max | Min | Typ | Max | Min | Max | |
| I_{DD} | Quiescent Device Current | $V_{DD} = 5V, V_{IN} = V_{DD}$ or V_{SS} | | 0.25 | | 0.004 | 0.25 | | 7.5 | μA |
| | | $V_{DD} = 10V, V_{IN} = V_{DD}$ or V_{SS} | | 0.50 | | 0.005 | 0.50 | | 15 | μA |
| | | $V_{DD} = 15V, V_{IN} = V_{DD}$ or V_{SS} | | 1.0 | | 0.006 | 1.0 | | 30 | μA |
| V_{OL} | Low Level Output Voltage | $V_{DD} = 5V$ | | 0.05 | | 0 | 0.05 | | 0.05 | V |
| | | $V_{DD} = 10V$ | | 0.05 | | 0 | 0.05 | | 0.05 | V |
| | | $V_{DD} = 15V$ | | 0.05 | | 0 | 0.05 | | 0.05 | V |
| V_{OH} | High Level Output Voltage | $V_{DD} = 5V$ | 4.95 | | 4.95 | 5 | | 4.95 | | V |
| | | $V_{DD} = 10V$ | 9.95 | | 9.95 | 10 | | 9.95 | | V |
| | | $V_{DD} = 15V$ | 14.95 | | 14.95 | 15 | | 14.95 | | V |
| V_{IL} | Low Level Input Voltage | $V_{DD} = 5V, V_O = 4.5V$ | | 1.5 | | 2 | 1.5 | | 1.5 | V |
| | | $V_{DD} = 10V, V_O = 9.0V$ | | 3.0 | | 4 | 3.0 | | 3.0 | V |
| | | $V_{DD} = 15V, V_O = 13.5V$ | | 4.0 | | 6 | 4.0 | | 4.0 | V |
| V_{IH} | High Level Input Voltage | $V_{DD} = 5V, V_O = 0.5V$ | 3.5 | | 3.5 | 3 | | 3.5 | | V |
| | | $V_{DD} = 10V, V_O = 1.0V$ | 7.0 | | 7.0 | 6 | | 7.0 | | V |
| | | $V_{DD} = 15V, V_O = 1.5V$ | 11.0 | | 11.0 | 9 | | 11.0 | | V |
| I_{OL} | Low Level Output Current (Note 3) | $V_{DD} = 5V, V_O = 0.4V$ | 0.64 | | 0.51 | 0.88 | | 0.36 | | mA |
| | | $V_{DD} = 10V, V_O = 0.5V$ | 1.6 | | 1.3 | 2.25 | | 0.9 | | mA |
| | | $V_{DD} = 15V, V_O = 1.5V$ | 4.2 | | 3.4 | 8.8 | | 2.4 | | mA |
| I_{OH} | High Level Output Current (Note 3) | $V_{DD} = 5V, V_O = 4.6V$ | -0.64 | | -0.51 | -0.88 | | -0.36 | | mA |
| | | $V_{DD} = 10V, V_O = 9.5V$ | -1.6 | | -1.3 | -2.25 | | -0.9 | | mA |
| | | $V_{DD} = 15V, V_O = 13.5V$ | -4.2 | | -3.4 | -8.8 | | -2.4 | | mA |
| I_{IN} | Input Current | $V_{DD} = 15V, V_{IN} = 0V$ | | -0.10 | | -10^{-5} | -0.10 | | -1.0 | μA |
| | | $V_{DD} = 15V, V_{IN} = 15V$ | | 0.10 | | 10^{-5} | 0.10 | | 1.0 | μA |

Connection Diagrams

CD4001BC/CD4001BM
Dual-In-Line Package



CD4011BC/CD4011BM
Dual-In-Line Package



DC Electrical Characteristics CD4001BC, CD4011BC (Note 2)

| Symbol | Parameter | Conditions | -40°C | | +25°C | | | +85°C | | Units |
|-----------------|------------------------------------|--|-------|-------|-------|-------------------|-------|-------|------|-------|
| | | | Min | Max | Min | Typ | Max | Min | Max | |
| I _{DD} | Quiescent Device Current | V _{DD} = 5V, V _{IN} = V _{DD} or V _{SS} | | 1 | | 0.004 | 1 | | 7.5 | μA |
| | | V _{DD} = 10V, V _{IN} = V _{DD} or V _{SS} | | 2 | | 0.005 | 2 | | 15 | μA |
| | | V _{DD} = 15V, V _{IN} = V _{DD} or V _{SS} | | 4 | | 0.006 | 4 | | 30 | μA |
| V _{OL} | Low Level Output Voltage | V _{DD} = 5V } V _{DD} = 10V } V _{DD} = 15V } I _O < 1 μA | | 0.05 | | 0 | 0.05 | | 0.05 | V |
| | | | | 0.05 | | 0 | 0.05 | | 0.05 | V |
| | | | | 0.05 | | 0 | 0.05 | | 0.05 | V |
| V _{OH} | High Level Output Voltage | V _{DD} = 5V } V _{DD} = 10V } V _{DD} = 15V } I _O < 1 μA | 4.95 | | 4.95 | 5 | | 4.95 | | V |
| | | | 9.95 | | 9.95 | 10 | | 9.95 | | V |
| | | | 14.95 | | 14.95 | 15 | | 14.95 | | V |
| V _{IL} | Low Level Input Voltage | V _{DD} = 5V, V _O = 4.5V V _{DD} = 10V, V _O = 9.0V V _{DD} = 15V, V _O = 13.5V | | 1.5 | | 2 | 1.5 | | 1.5 | V |
| | | | | 3.0 | | 4 | 3.0 | | 3.0 | V |
| | | | | 4.0 | | 6 | 4.0 | | 4.0 | V |
| V _{IH} | High Level Input Voltage | V _{DD} = 5V, V _O = 0.5V V _{DD} = 10V, V _O = 1.0V V _{DD} = 15V, V _O = 1.5V | 3.5 | | 3.5 | 3 | | 3.5 | | V |
| | | | 7.0 | | 7.0 | 6 | | 7.0 | | V |
| | | | 11.0 | | 11.0 | 9 | | 11.0 | | V |
| I _{OL} | Low Level Output Current (Note 3) | V _{DD} = 5V, V _O = 0.4V V _{DD} = 10V, V _O = 0.5V V _{DD} = 15V, V _O = 1.5V | 0.52 | | 0.44 | 0.88 | | 0.36 | | mA |
| | | | 1.3 | | 1.1 | 2.25 | | 0.9 | | mA |
| | | | 3.6 | | 3.0 | 8.8 | | 2.4 | | mA |
| I _{OH} | High Level Output Current (Note 3) | V _{DD} = 5V, V _O = 4.6V V _{DD} = 10V, V _O = 9.5V V _{DD} = 15V, V _O = 13.5V | -0.52 | | -0.44 | -0.88 | | -0.36 | | mA |
| | | | -1.3 | | -1.1 | -2.25 | | -0.9 | | mA |
| | | | -3.6 | | -3.0 | -8.8 | | -2.4 | | mA |
| I _{IN} | Input Current | V _{DD} = 15V, V _{IN} = 0V V _{DD} = 15V, V _{IN} = 15V | | -0.30 | | -10 ⁻⁵ | -0.30 | | -1.0 | μA |
| | | | | 0.30 | | 10 ⁻⁵ | 0.30 | | 1.0 | μA |

AC Electrical Characteristics* CD4001BC, CD4001BM

T_A = 25°C, Input t_r, t_f = 20 ns, C_L = 50 pF, R_L = 200k. Typical temperature coefficient is 0.3%/°C.

| Symbol | Parameter | Conditions | Typ | Max | Units |
|-------------------------------------|---|-----------------------|-----|-----|-------|
| t _{PHL} | Propagation Delay Time, High-to-Low Level | V _{DD} = 5V | 120 | 250 | ns |
| | | V _{DD} = 10V | 50 | 100 | ns |
| | | V _{DD} = 15V | 35 | 70 | ns |
| t _{PLH} | Propagation Delay Time, Low-to-High Level | V _{DD} = 5V | 110 | 250 | ns |
| | | V _{DD} = 10V | 50 | 100 | ns |
| | | V _{DD} = 15V | 35 | 70 | ns |
| t _{THL} , t _{TLH} | Transition Time | V _{DD} = 5V | 90 | 200 | ns |
| | | V _{DD} = 10V | 50 | 100 | ns |
| | | V _{DD} = 15V | 40 | 80 | ns |
| C _{IN} | Average Input Capacitance | Any Input | 5 | 7.5 | pF |
| C _{PD} | Power Dissipation Capacity | Any Gate | 14 | | pF |

*AC Parameters are guaranteed by DC correlated testing.

Note 1: "Absolute Maximum Ratings" are those values beyond which the safety of the device cannot be guaranteed. Except for "Operating Temperature Range" they are not meant to imply that the devices should be operated at these limits. The table of "Electrical Characteristics" provides conditions for actual device operation.

Note 2: All voltages measured with respect to V_{SS} unless otherwise specified.

Note 3: I_{OL} and I_{OH} are tested one output at a time.

AC Electrical Characteristics* CD4011BC, CD4011BM

$T_A = 25^\circ\text{C}$, Input t_r ; $t_f = 20$ ns. $C_L = 50$ pF, $R_L = 200\text{k}$. Typical Temperature Coefficient is $0.3\%/^\circ\text{C}$.

| Symbol | Parameter | Conditions | Typ | Max | Units |
|--------------------|--------------------------------------|-----------------------|-----|-----|-------|
| t_{PHL} | Propagation Delay, High-to-Low Level | $V_{DD} = 5\text{V}$ | 120 | 250 | ns |
| | | $V_{DD} = 10\text{V}$ | 50 | 100 | ns |
| | | $V_{DD} = 15\text{V}$ | 35 | 70 | ns |
| t_{PLH} | Propagation Delay, Low-to-High Level | $V_{DD} = 5\text{V}$ | 85 | 250 | ns |
| | | $V_{DD} = 10\text{V}$ | 40 | 100 | ns |
| | | $V_{DD} = 15\text{V}$ | 30 | 70 | ns |
| t_{THL}, t_{TLH} | Transition Time | $V_{DD} = 5\text{V}$ | 90 | 200 | ns |
| | | $V_{DD} = 10\text{V}$ | 50 | 100 | ns |
| | | $V_{DD} = 15\text{V}$ | 40 | 80 | ns |
| C_{IN} | Average Input Capacitance | Any Input | 5 | 7.5 | pF |
| C_{PD} | Power Dissipation Capacity | Any Gate | 14 | | pF |

*AC Parameters are guaranteed by DC correlated testing.

Typical Performance Characteristics

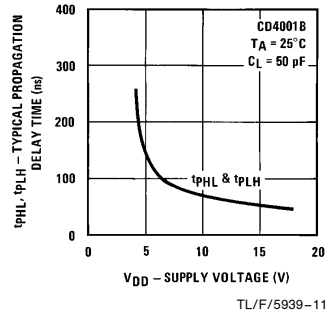
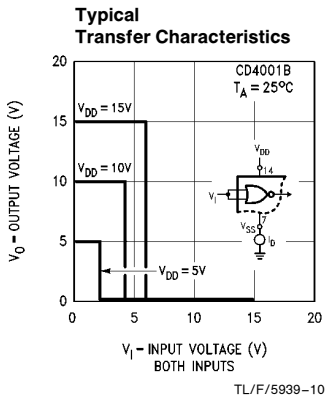
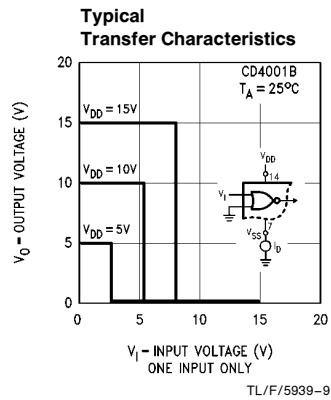
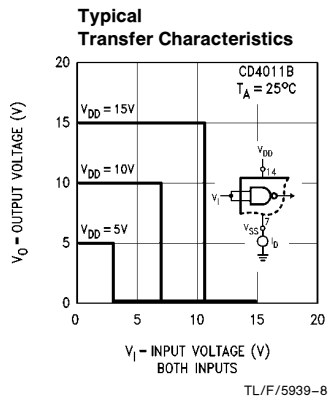
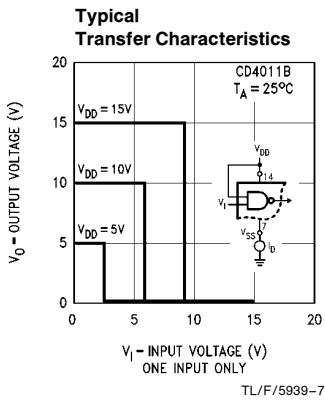


FIGURE 5

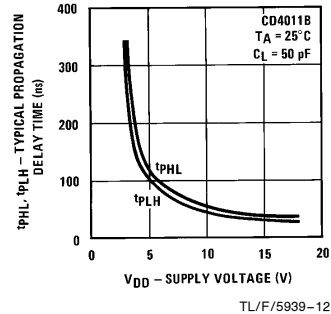


FIGURE 6

Typical Performance Characteristics (Continued)

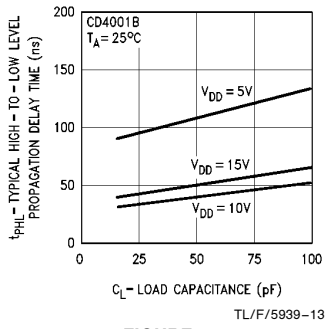


FIGURE 7

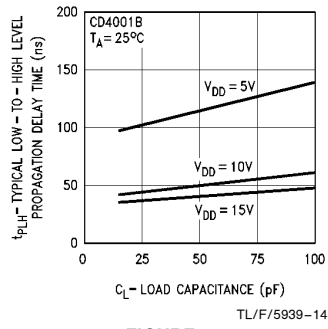


FIGURE 8

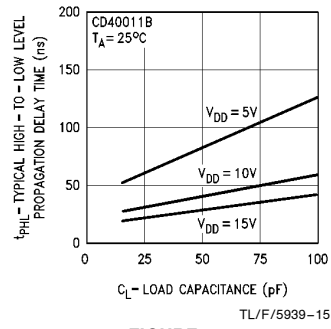


FIGURE 9

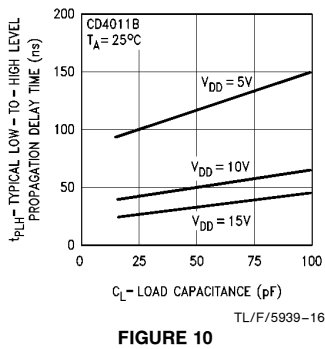


FIGURE 10

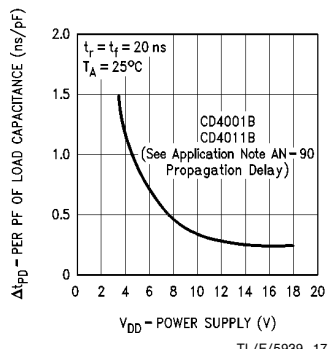


FIGURE 11

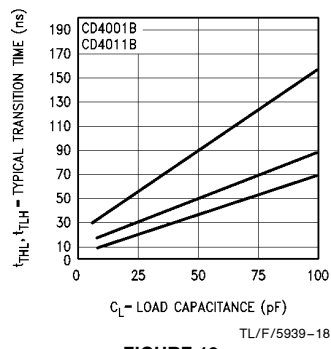


FIGURE 12

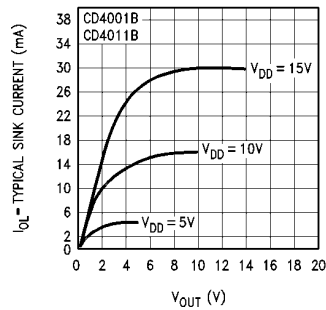


FIGURE 13

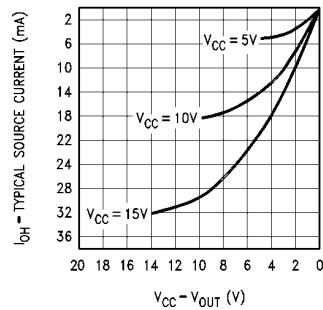


FIGURE 14

This datasheet has been downloaded from:

www.DatasheetCatalog.com

Datasheets for electronic components.