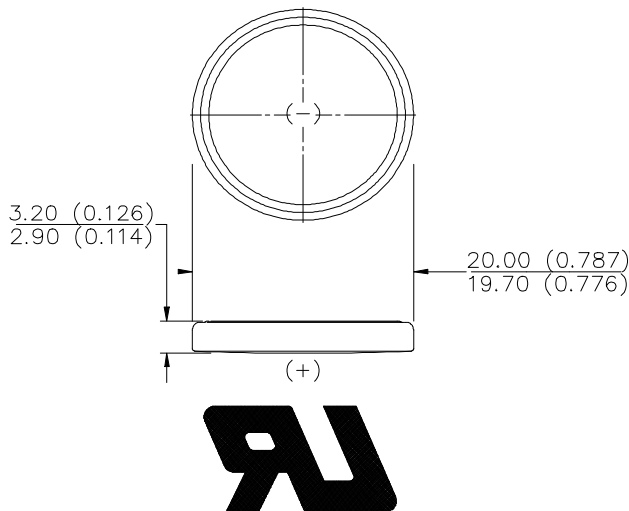


ENERGIZER NO. CR2032



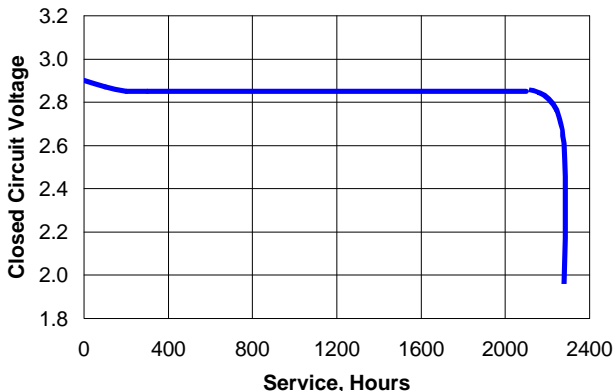
Industry Standard Dimensions in mm (inches)



Chemical System: Lithium / Manganese Dioxide (Li/MnO₂)

Designation: ANSI / NEDA-5004LC, IEC-CR2032
Battery Voltage: 3.0 Volts
Average Weight: 3.3 grams (0.12 oz.)
Volume: 1.0 cubic centimeters (0.06 cubic inch)
Average Capacity: 225 mAh to 2.0 volts
 (Rated at 10k ohms continuous at 21°C)
Maximum Reverse Charge Current: 1 microampere
Energy Density: 198 milliwatt hr/g, 653 milliwatt hr/cc

TYPICAL DISCHARGE CURVE
 Simulated Test @ 21°C (70°F)



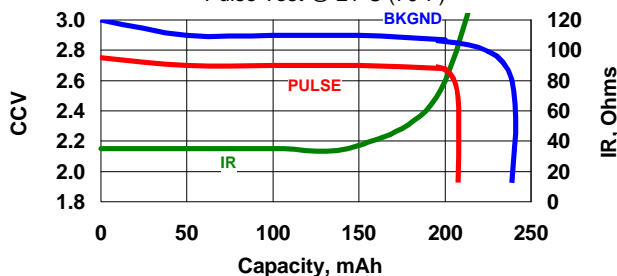
Simulated Application Test
 Estimated Average Service at 21°C (70°F)

Schedule:	Typical Drains at 2.9V (microamperes)	Load (ohms)	Cutoff Voltage
			2.0V
24 hours/day	97	30,000	2,250 Hours

INTERNAL RESISTANCE CHARACTERISTICS
Pulse Test @ 21°C (70°F)

Schedule: Continuous for background
 2 seconds X 12times/day for pulse
Typical Background Drain @ 2.9V (milliamps):
 0.295 milliampères
Typical Pulse Drain @ 2.6V (milliamps):
 7.3 milliampères
Background Load:
 10k ohms
Pulse Load:
 400 ohms

IR CHARACTERISTICS
 Pulse Test @ 21°C (70°F)



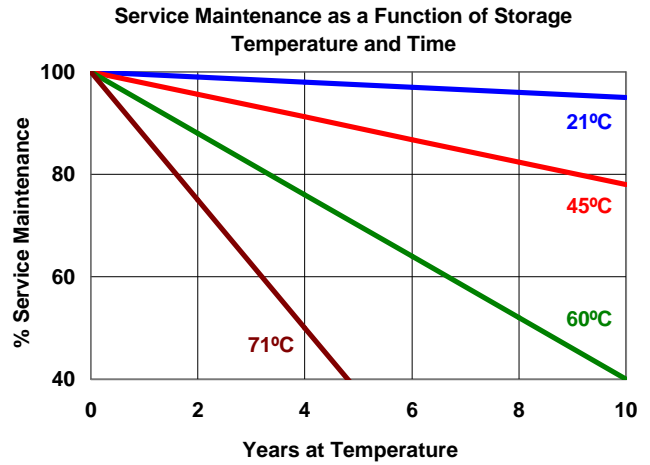
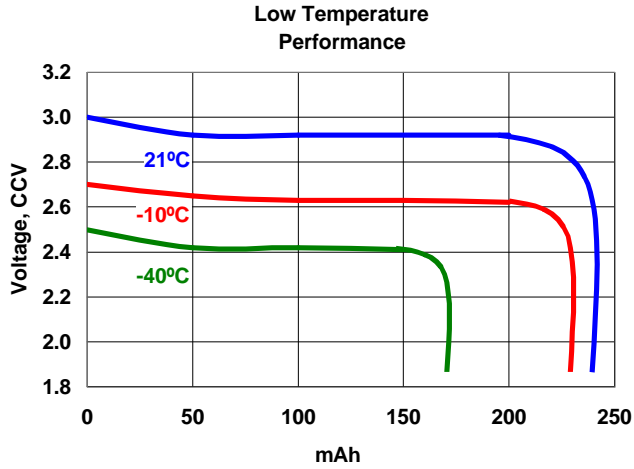
Important Notice

This data sheet contains information specific to batteries manufactured at the time of its publication.

Contents herein do not constitute a warranty.

Copyright © Eveready Battery Co. Inc. - All Rights Reserved

ENERGIZER NO. CR2032



Important Notice

This data sheet contains information specific to batteries manufactured at the time of its publication.

Contents herein do not constitute a warranty.

Copyright © Eveready Battery Co. Inc. - All Rights Reserved